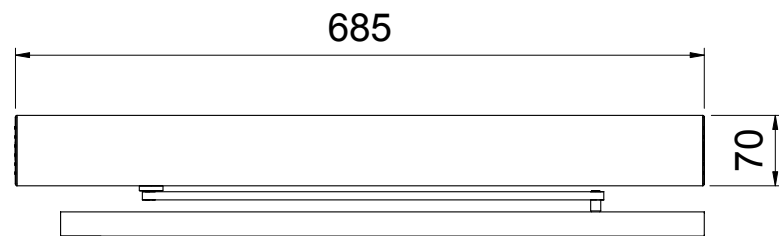
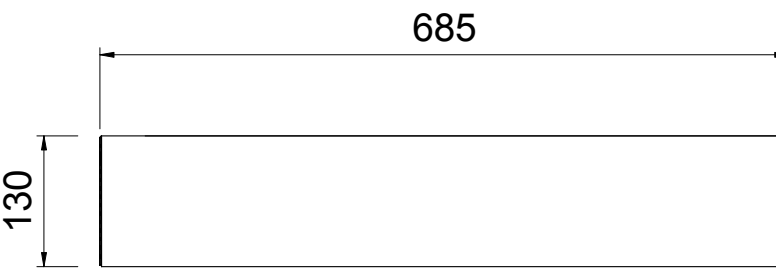


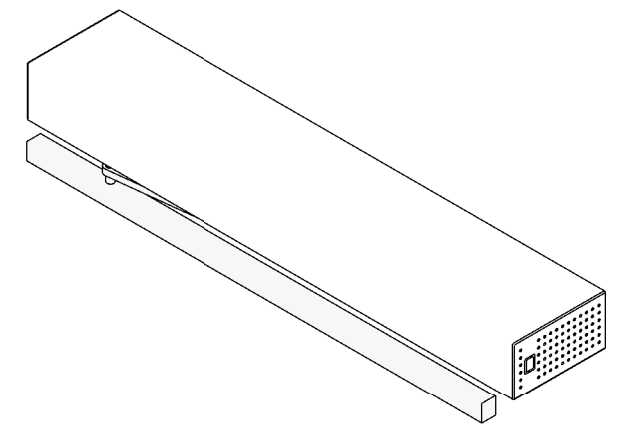
**02 Side View**  
1:7



**03 Front View**  
1:7




**04 Top View**  
1:7



**01 3D View**

Automatic Swing Doors		
Item	Description	Finish Option
KAD-ED100LE Pull	Dorma Low Energy Drive System for Automatic Swing Doors up to 100kg Leaf Weight and up to 1,100mm Wide	n/a

Rev	Date	Description	Initial
Title : KAD-ED100LE Pull			
Contract : KCC Architectural			
Scales are as shown, original drawing size A3			
		Creator : Shelly	
		Checked by : Sohraab	
		Scale : N.T.S	
		First issue : 09-11-2019	
		Project No :	
DRG No :		Rev	